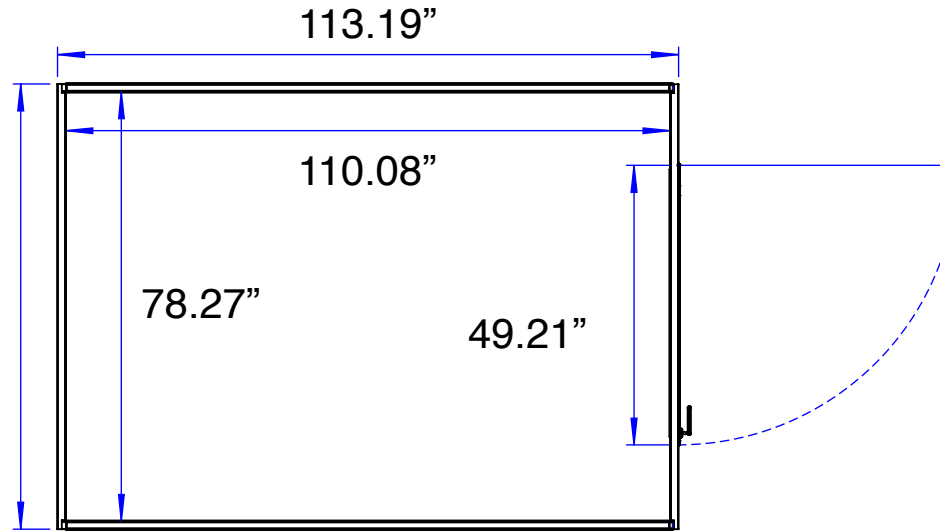


7x10 Unit Single Door

Empty Weight 848 lbs.
Floor Pressure 175 lbs. per sqft.
Roof Pressure 135 lbs. per sqft.
Can be stacked 3 units high.

81.10"



Single Door

Opening is 49.21" in width x
74.80" in height.
Ceiling height 76.77".

116.10"

84.25"

116.10"

