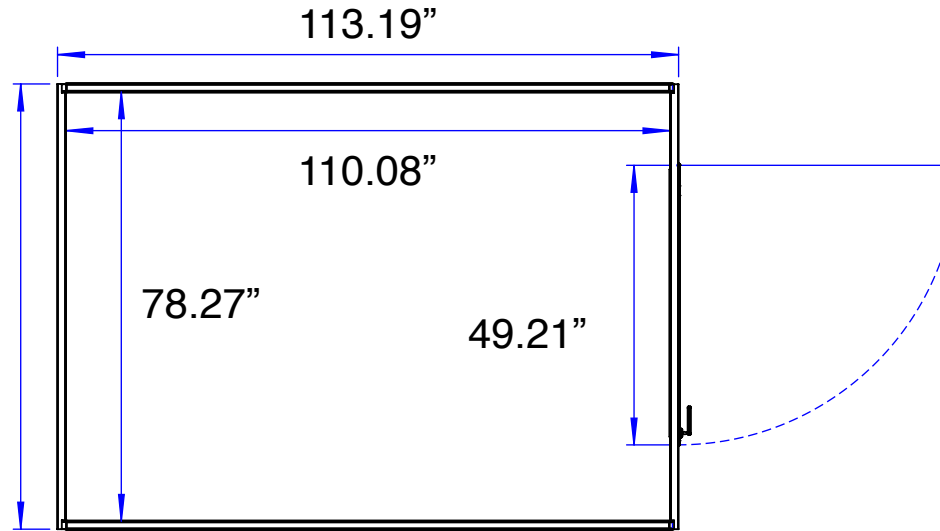


## 7x10 Unit Single Door

Empty Weight 848 lbs.  
Floor Pressure 175 lbs. per sqft.  
Roof Pressure 135 lbs. per sqft.  
Can be stacked 3 units high.

81.10"



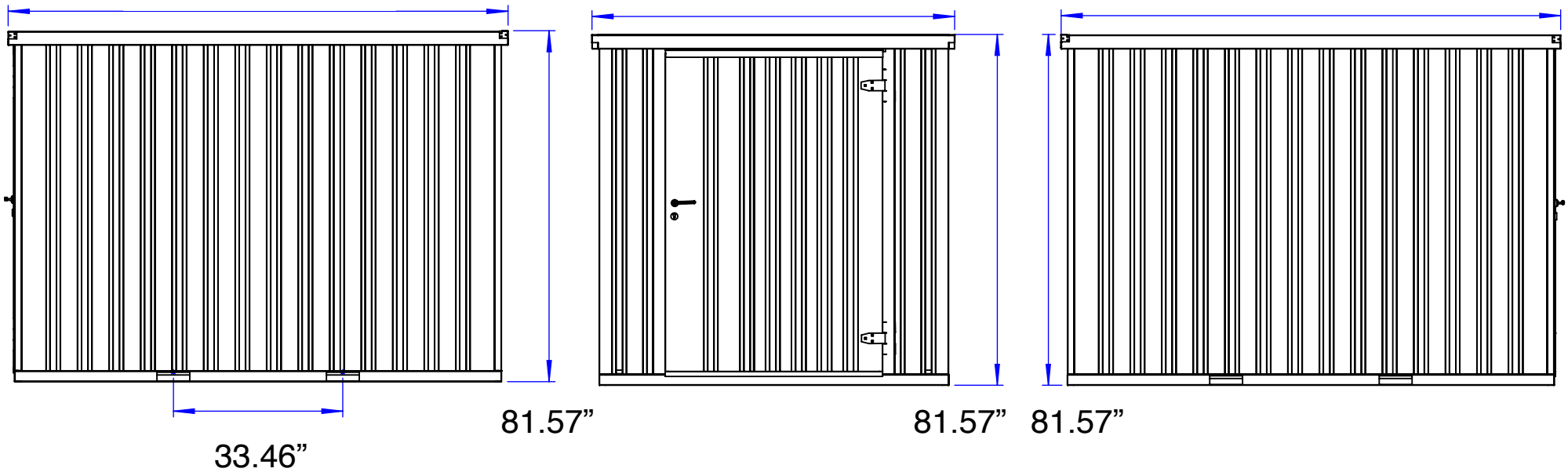
## Single Door

Opening is 49.21" in width x  
74.80" in height.  
Ceiling height 76.77".

116.10"

84.25"

116.10"

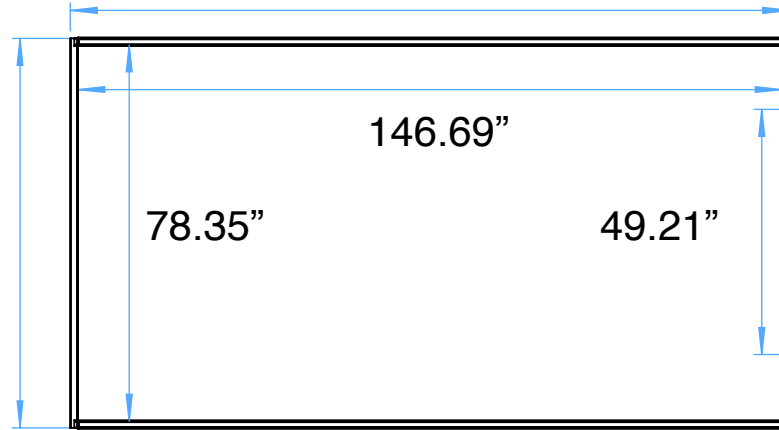


## 7x13 Unit Single Door

Empty Weight 1025 lbs.  
Floor Pressure 175 lbs. per sqft.  
Roof Pressure 135 lbs. per sqft.  
Can be stacked 3 units high.

81.10"

149.84"



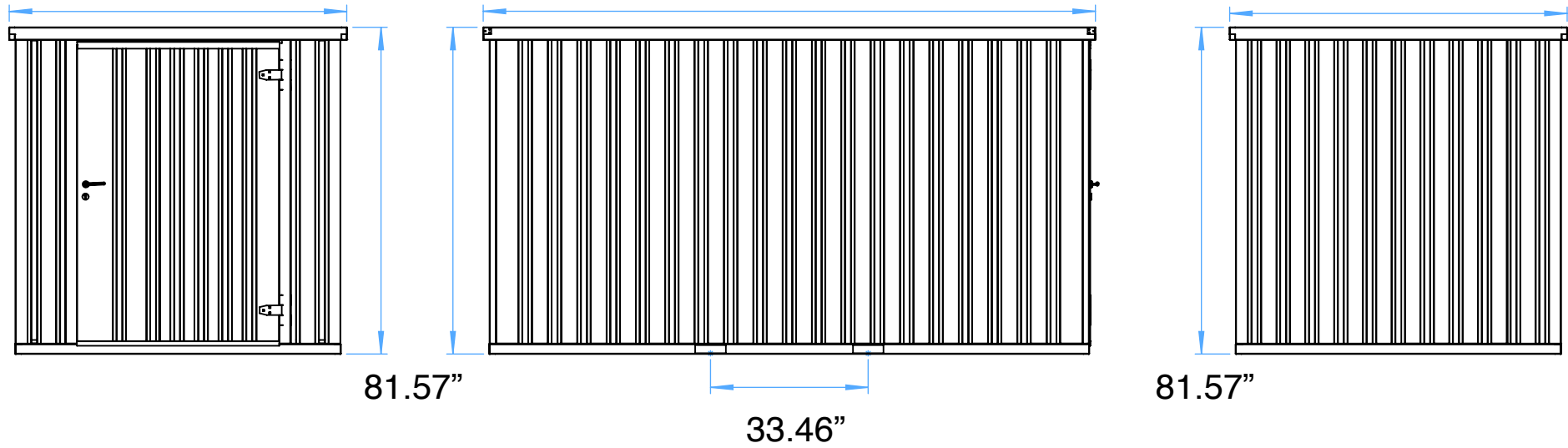
## Single Door

Opening is 49.21" in width x  
74.80" in height.  
Ceiling height 76.77".

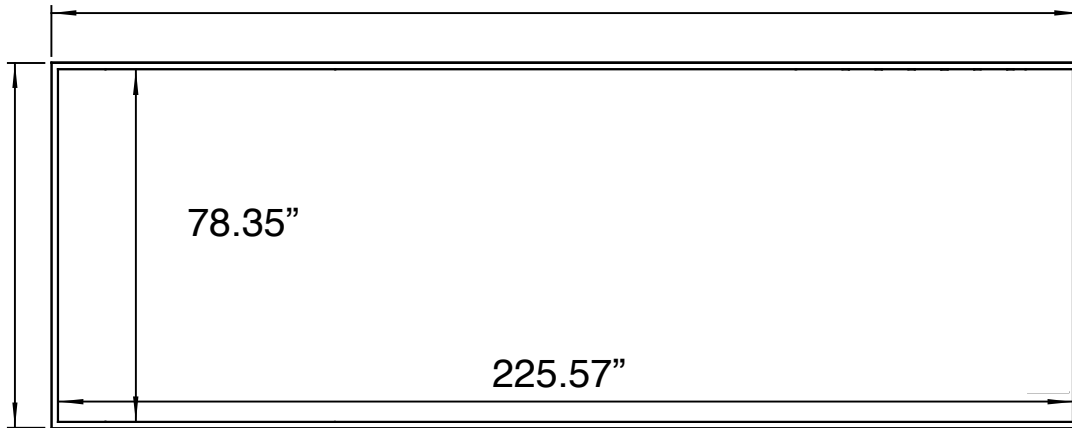
84.25"

152.76"

84.25"



228.43"



81.18"

### **7x20 Unit Double Door**

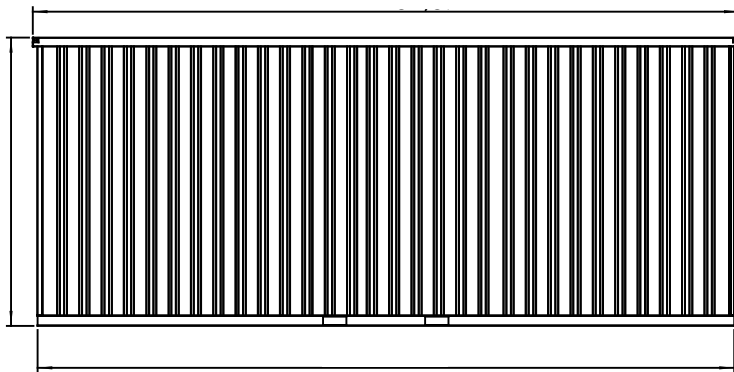
Empty Weight 1774 lbs.  
Floor Pressure 175 lbs per sqft.  
Roof Pressure 135 lbs per sqft.  
Can be stacked 3 units high.

### **Double Door**

Opening is 68.9" in width x  
74.80" in height.  
Ceiling height 76.77".

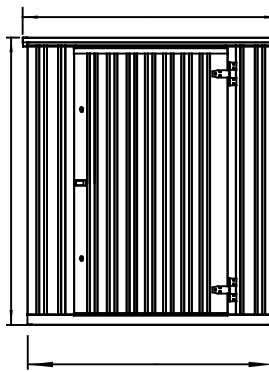
231.57"

84.33"

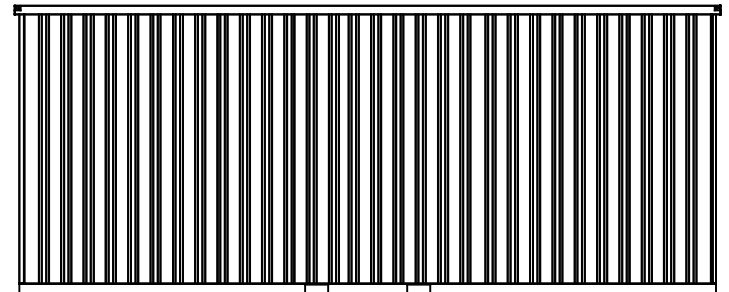


82.20"

228.43"



81.18"



Fork Points 33.46".

# Double Door

68.9"

